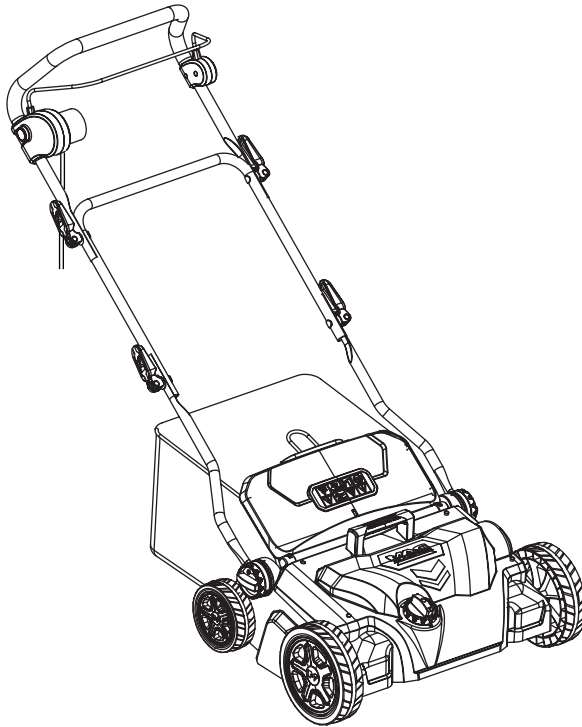




Scarifier and Raker 1800W



Original Instructions_MS RP1800_GB_V2_160930



MSRP1800



Barcode: 5052931430789



WARNING: Read the instructions before using the product!

Let's get started...

These instructions are for your safety. Please read through them thoroughly before use and retain them for future reference.

	Getting started	
	Safety information	3
	Your product	12
	Before you start	14
	In more detail	22
	Product functions	25
	Operation	27
	Care and maintenance	31
	Troubleshooting	32
	Recycling and disposal	33
	Guarantee	34
	EC declaration of conformity	

Safety warnings

**IMPORTANT
READ CAREFULLY BEFORE USE
KEEP FOR FUTURE REFERENCE**

Training

- Read the instructions carefully. Be familiar with the controls and the correct use of the equipment.
- Never allow children or people unfamiliar with these instructions to use the machine. Local regulations can restrict the age of the operator.
- Keep in mind that the operator or user is responsible for accidents or hazards occurring to other people or their property.

Preparation

- Wear ear protection and safety glasses at all times while operating the machine.
- Before use check the supply and extension cord for signs of damage or aging. If the cord becomes damaged during use, disconnect the cord from the supply immediately. **DO NOT TOUCH THE CORD BEFORE DISCONNECTING THE SUPPLY.** Do not use the machine if the cord is damaged or worn.
- While operating the machine always wear substantial footwear and long trousers. Do not operate the machine when barefoot or wearing open sandals. Avoid wearing clothing that is loose fitting or that has hanging cords or ties.
- Thoroughly inspect the area where the equipment is to be used and remove all objects which can be thrown by the machine.
- Operate the machine in a recommended position

and only on a firm, level surface.

- f) Do not operate the machine on a paved or gravel surface where ejected material could cause injury.
- g) Before starting the machine, check that all screws, nuts, bolts, and other fasteners are properly secured and that guards and screens in place. Replace damaged or unreadable labels
- h) Never operate the machine while people, especially children, or pets are nearby.

Operation

- a) Operate the machine only in daylight or in good artificial light.
- b) Avoid operating the machine in wet grass.
- c) Always be sure of your footing at all times, especially on slopes.
- d) Walk, never run.
- e) Mow across the face of slopes, never up and down.
- f) Exercise extreme caution when changing direction on slopes.
- g) Do not scarify or aerate excessively steep slopes.
- h) Use extreme caution when reversing or pulling the machine towards you.
- i) Stop the tines if the machine has to be tilted for transportation when crossing surfaces other than grass, and when transporting the machine to and from the area to be used.
- j) Never operate the machine with defective guards or shields, or without safety devices, for example deflectors and/or grass collector, in place.
- k) Switch on the motor carefully according to instructions and with feet well away from the tines.
- l) Keep supply and extension cord away from tines.

- m) Do not tilt machine when switching on the motor, except if the machine has to be tilted for starting. In this case, do not tilt it more than absolutely necessary and lift only the part which is away from the operator. Always ensure that both hands are in the operating position before returning the machine to the ground.
- n) Do not transport the machine while the power source is running.
- o) Do not put hands or feet near or under rotating parts. Keep clear of the discharge opening at all times.
- p) Stop the machine, and remove plug from the socket. Make sure that all moving parts have come to a complete stop:
 - 1) whenever you leave the machine,
 - 2) before clearing blockages or unclogging chute,
 - 3) before checking, cleaning or working on the machine,
 - 4) after striking a foreign object. Inspect the machine for damage and make repairs before restarting and operating the machine; if the machine starts to vibrate abnormally (check immediately)
 - 5) inspect for damage,
 - 6) replace or repair any damaged parts,
 - 7) check for and tighten any loose parts.

Maintenance and storage

- a) Keep all nuts, bolts and screws tight to be sure the equipment is in safe working condition.
- b) Check the debris collector frequently for wear or deterioration.
- c) Replace worn or damaged parts for safety.
- d) On machines with multiple tine assemblies,

take care as rotating one tine assembly can cause another tine assembly to rotate.

e) Be careful during adjustment of the machine to prevent entrapment of the fingers between moving tine assemblies and fixed parts of the machine.

f) Always allow the machine to cool down before storing.

g) When servicing the tine assembly be aware that, even though the power source is switched off, the tine assembly can still be moved.

h) Replace worn or damaged parts for safety. Use only genuine replacement parts and accessories.

i) When the machine is stopped for servicing, inspection, or storage, or to change an accessory, shut off the power source, disconnect the machine from the supply and make sure that all moving parts are come to a complete stop. Allow the machine to cool before making any inspections, adjustments, etc. Maintain the machine with care and keep it clean.

j) Store the machine out of the reach of children.

Recommendation

The machine should be supplied via a residual current device (RCD) with a tripping current of not more than 30 mA.

Additional safety warnings for scarifier/raker

1. Warning! Beware of sharp tines/blades. Tines/blades continue to rotate after the motor is switched off.

2. Before use check the supply and extension cord for signs of damage or ageing. If the cord becomes damaged during use, disconnect the cord from the supply immediately. **DO NOT TOUCH THE CORD**

BEFORE DISCONNECTING THE SUPPLY. Do not use the product, if the cord is damaged or worn.

3. Keep extension cords away from the tines/blades. The tines/blades can cause damage to the cords and lead to contact with live parts.

4. If the power cord is damaged, it must be replaced by the manufacturer, its service agent or similarly qualified persons in order to avoid a safety hazard.

Vibration and noise reduction

To reduce the impact of noise and vibration emission, limit the time of operation, use low-vibration and low-noise operating modes as well as wear personal protective equipment.

Take the following points into account to minimise the vibration and noise exposure risks:

1. Only use the product as intended by its design and these instructions.

2. Ensure that the product is in good condition and well maintained.

3. Use correct attachments for the product and ensure they are in good condition.

4. Keep tight grip on the handles/grip surface.

5. Maintain this product in accordance with these instructions and keep it well lubricated (where appropriate).

6. Plan your work schedule to spread any high vibration tool use across a number of days.

Emergency

Familiarise yourself with the use of this product by means of this instruction manual. Memorise the safety directions and follow them to the letter. This will help to prevent risks and hazards.

1. Always be alert when using this product, so that you can recognise and handle risks early.

Fast intervention can prevent serious injury and damage to property.

2. Switch off and disconnect from the power supply if there is any malfunction. Have the product checked by a qualified specialist and repaired, if necessary, before you put it into operation again.

Residual risks

Even if you are operating this product in accordance with all the safety requirements, potential risks of injury and damage remain. The following dangers can arise in connection with the structure and design of this product:









1. Health defects resulting from vibration emission if the product is being used over long periods of time or not adequately managed and properly maintained.
2. Injuries and damage to property due to broken application tools or the sudden impact of hidden objects during use.
3. Danger of injury and property damage caused by flying objects.



WARNING! This product produces an electromagnetic field during operation! This field may under some circumstances interfere with active or passive medical implants! To reduce the risk of serious or fatal injury, we recommend persons with medical implants to consult their doctor and the medical implant manufacturer before operating this product!

Symbols

On the product, the rating label and within these instructions you will find among others the following symbols and abbreviations. Familiarise yourself with them to reduce hazards like personal injuries and damage to property.

V~	Volt, (alternating voltage)
Hz	Hertz
W	Watt
/min or min ⁻¹	Per minute
mm	Millimetre
kg	Kilogram
dB(A)	Decibel (A-rated)
m/s ²	Metres per second squared
	Lock / to tighten or secure.
	Unlock / to loosen.
	Note / Remark.
	Caution / Warning.
	Read the instruction manual.
	Wear hearing protection. Wear eye protection.
	Wear a dust mask.
	Wear protective gloves.



Wear protective, slip-resistant footwear.



Wear tight-fitted protective clothes.

yyWxx

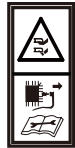
Manufacturing date code; year of manufacturing (20yy) and week of manufacturing (Wxx)



Switch the product off and disconnect it from the power supply before assembly, cleaning, adjustments, maintenance, storage and transportation.



Do not expose the product to rain or wet conditions (moisture).



Sharp tines - Beware of cutting fingers or toes. Tines continue to rotate after the motor is switched off – remove plug from power supply before maintenance or if the power cord is damaged.



Objects thrown by the product could hit the user or other bystanders. Always ensure that other people and pets remain at a safe distance from the product when it is in operation. In general, children must not come near the area where the product is.



Keep supply cord away from the attachment.



Attachment continues to rotate after the product is switched off. Wait until all components have completely stopped before touching the product.

STOP



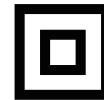
Work across the face of slopes, never up and down.



Inspect the area where the product is to be used and remove all objects which could be thrown by the product. If objects are hidden while operating stop the motor and remove them.



Guaranteed maximum sound power level value is 100dB.



This product is of protection class II. That means it is equipped with enhanced or double insulation.



The product complies with the applicable European directives and an evaluation method of conformity for these directives was done.

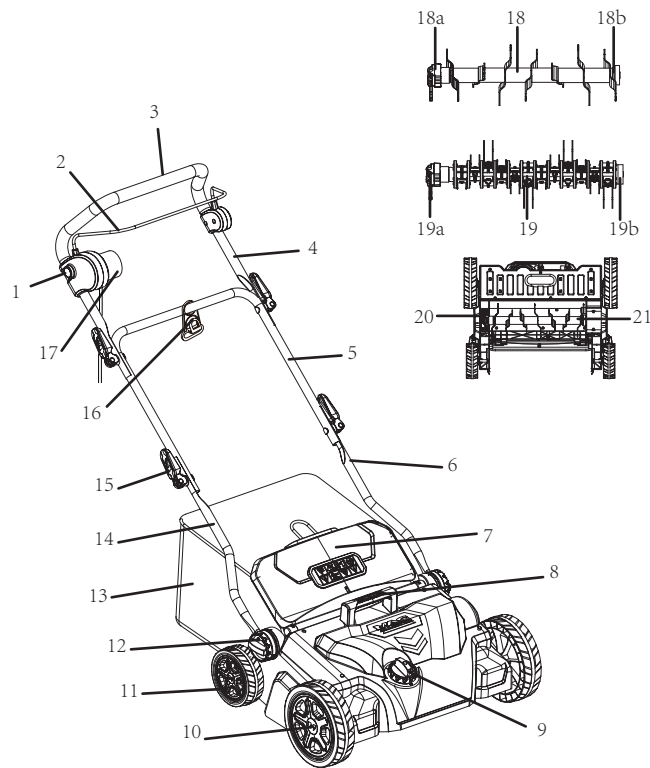


Protection against harmful ingress of water



WEEE symbol. Waste electrical products should not be disposed of with household waste. Please recycle where facilities exist. Check with your Local Authority or local store for recycling advice.

Your product



- | | |
|---------------------------|------------------------|
| 1. Lock-off button | 15. Mounting set (x4) |
| 2. Start/Stop lever | a. Wing nut |
| 3. Handle grip | b. Flat washer |
| 4. Upper handle | c. Bolt |
| 5. Middle handle | 16. Cord strain relief |
| 6. Lower handle (x2) | 17. Power plug |
| 7. Deflector guard | 18. Scarifier drum |
| 8. Transport handle | a. Securing lever |
| 9. Height adjustment knob | b. Bearing |
| 10. Front wheel | 19. Raker drum |
| 11. Rear wheel | a. Securing lever |
| 12. Handle support (x2) | b. Bearing |
| a. Knob (x2) | 20. Hub |
| 13. Grass catcher | 21. Bearing terminal |
| 14. Cord clip (x2) | |

Technical specifications

General

> Rated voltage, frequency	220-240V~,50Hz
> Rated power input	1800 W
> Rated no load speed n_0	3700 min ⁻¹
> Protection class	II
> Degree of protection	IPX4
> Working width of Scarifier	370mm
> Working width of Raker	350mm
> Working height	-3/-6/-9/-12 mm
> Grass catcher volume	52 l
> Weight	15 kg

Sound values

> Sound pressure level L_{pA}	85.3 dB(A)
> Uncertainty K_{pA}	3 dB(A)
> Measured sound power level L_{WA}	97.66 dB(A)
> Uncertainty K_{WA}	3 dB(A)
> Guaranteed sound power level L_{WA}	100 dB(A)

Hand arm vibration values

> Hand arm vibration a_{hWB}	7.214 m/s ²
> Uncertainty K	1.5 m/s ²

The sound values have been determined according to noise test code given in EN 50636-2-92, using the basic standards EN ISO 11201 and EN ISO 3744.

The sound intensity level for the operator may exceed 85 dB(A) and ear protection measures are necessary.

The declared vibration value has been measured in accordance with a standard test method (according to EN 50636-2-92) and may be used for comparing one product with another. The declared vibration value may also be used in a preliminary assessment of exposure.



WARNING! Depending on the actual use of the product the vibration values can differ from the declared total. Adopt proper measures to protect yourself against vibration exposures. Take the whole work process including times the product is running under no load or switched off into consideration. Proper measures include among others regular maintenance and care of the product and accessories, keeping hands warm, periodical breaks and proper planning of work processes.

Unpacking

1. Unpack all parts and lay them on a flat, stable surface.
2. Remove all packing materials and shipping devices, if applicable.
3. Make sure the delivery contents are complete and free of any damage. If you find that parts are missing or show damage do not use the product but contact your dealer. Using an incomplete or damaged product represents a hazard to people and property.
4. Ensure that you have all the accessories and tools needed for assembly and operation. This also includes suitable personal protective equipment.



WARNING! The product and the packaging are not children's toys! Children must not play with plastic bags, sheets and small parts! There is a danger of choking and suffocation!

You will need

(items not supplied)
suitable personal protective equipment

(items supplied)

Assembly



WARNING! The product must be fully assembled before operation! Do not use a product that is only partly assembled or assembled with damaged parts!



Follow the assembly instructions step-by-step and use the pictures provided as a visual guide to easily assemble the product!

Do not connect the product to power supply before it is completely assembled!



NOTE: Take care of small parts that are removed during assembly or when making adjustments. Keep them secure to avoid loss.

Handle bars

1. Align the lower handle bars (6) with the handle supports (12) and secure them with knob (12a) on each side (Fig. 1).



NOTE: Lower Handle bars (6) and handle supports (12) are marked with "L" and "R" (Fig. 2,3)

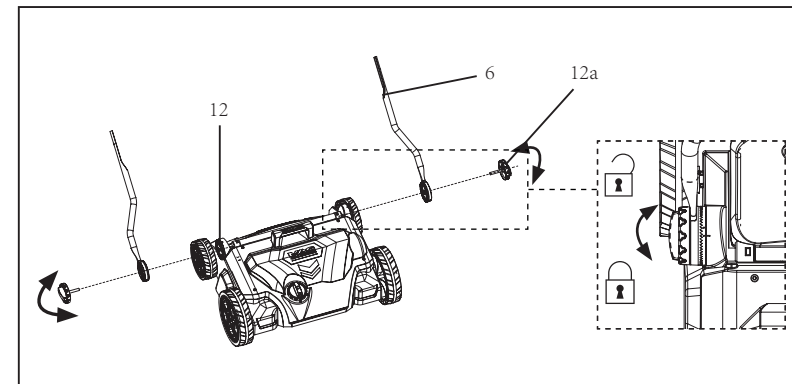


Fig. 1

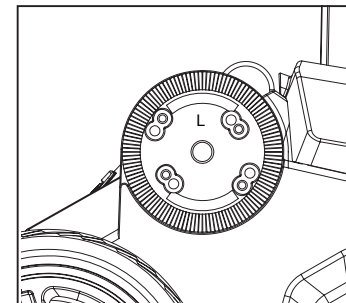


Fig. 2

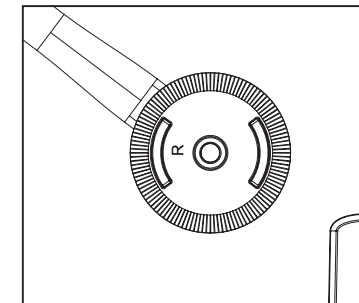


Fig. 3

2. Slide the cord strain relief (16) on to the middle handle bar (5) and align the lower handle bars (6) with the middle handle bar (5). Secure them with a mounting set (15) on each side (Fig. 4 - 7)

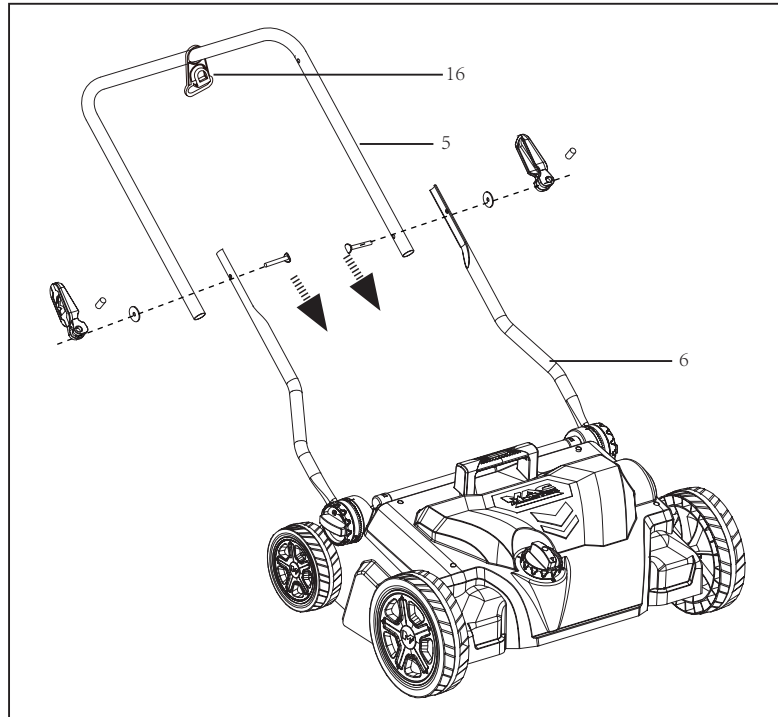


Fig. 4

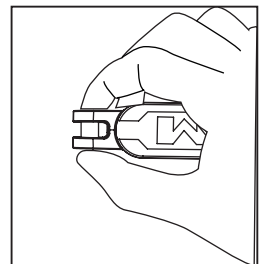


Fig. 5

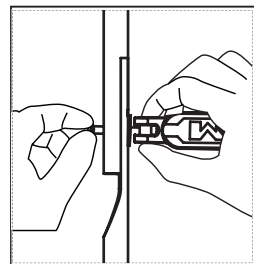


Fig. 6

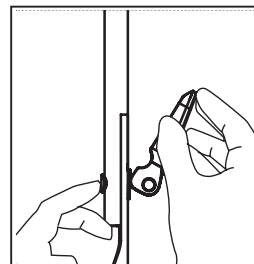


Fig. 7

3. Align the middle handle bars (5) with the upper handle bar (4). Guide the cable over the upper handle. Secure them with a mounting set (15) on each side (Fig. 5,6,7,8)

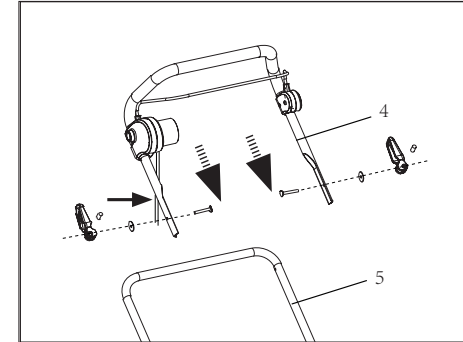


Fig. 8

Grass catcher

1. Slide the rail on the edges of the bag to the rod on the grass catcher frame (Fig.9).

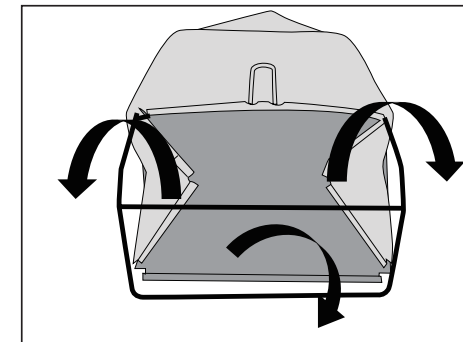


Fig. 9

2. Open the deflector guard (7), hold it in position and align the grass catcher (13) with the hooks to the hinges to hang it onto. (Fig. 10).

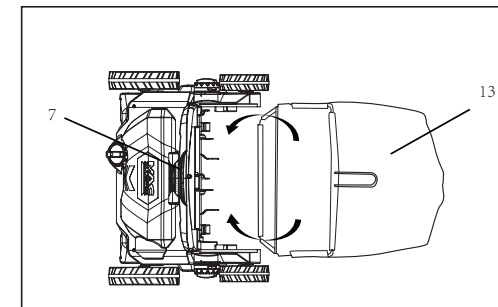


Fig. 10

3. Fix the cord with the cord clips (14) to the lower and middle handle (5, 6) (Fig. 11).

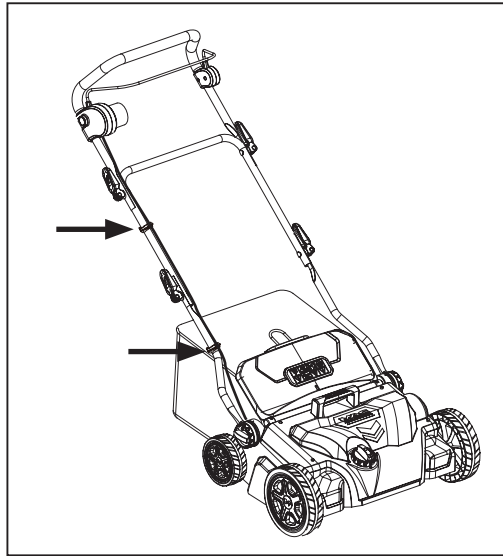


Fig. 11

Removing the Scarifier Drum or Raker Drum



WARNING! Wear safety gloves when working on the attachment and close to it! Use proper tools to remove debris, e. g. a wooden stick! Never use your bare hands!



Always use original spare parts for replacement. Refer to Spare Parts section (page 28 of this manual). Do not attach any other type of attachment!

1. Remove the grass catcher and turn the product upside down to access the drum.
2. Pull the securing lever (18a) up and turn it to the unlock position, see Fig.12, step 1, 2.
3. Slide the drum to one side, making the bearing at both sides leave the seats. see Fig.12, step 3.
4. Pull out the drum, Fig.12, step 4.

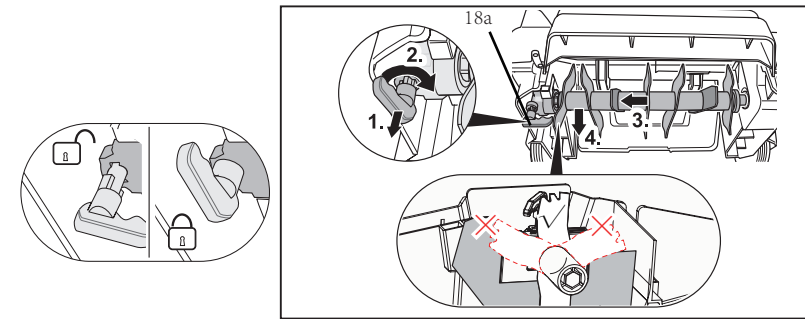


Fig. 12



NOTE: If you can't slide the drum to one side and pull it out, it is because the blade of the drum is blocked by the plastic housing. Rotate the drum so that the blade does not block the plastic housing, then you can slide the drum to one side and pull it out. See Fig.12

Fitting the Scarifier Drum or Raker Drum

1. Pull the securing lever (19a) up and turn it to the unlock position, see Fig. 13, step 1, 2.
2. Put the drum in, see Fig. 13, step 3.
3. Slide the drum to one side, ensuring both bearings align correctly, see Fig. 13, step 4.
4. Check both ends are seated correctly, turn the securing lever to its lock position, see Fig. 13, step 5,6.

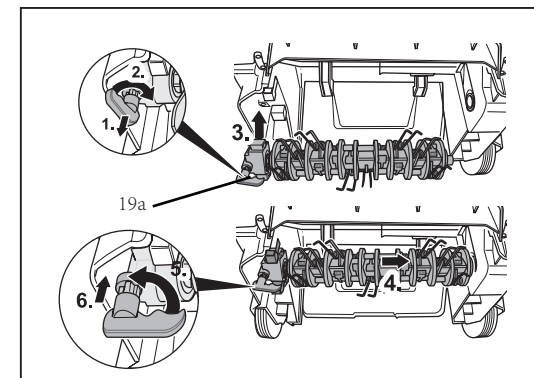


Fig. 13

Connection to power supply

The product is equipped with a power cord (17) and a cord strain relief (16).



WARNING! The power cord must always be used with the cord strain relief (16). Always use a residual current device (RCD) protected supply.

1. Make sure the lock-off button (1) is in its off position.
2. Double the power cord about a foot from the end. Lead the loop through the hole and hook the loop over the cord strain relief (16) (Fig. 14).
3. Gently pull on the cord to ensure that it is firmly attached (Fig. 15).

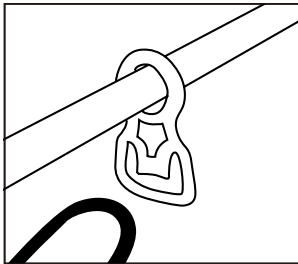


Fig. 14

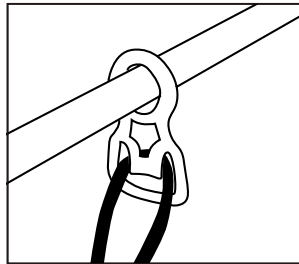


Fig. 15

4. Make sure the start/stop lever (2) is not squeezed.
5. Connect the plug of power cord into a suitable socket.



WARNING! Check the voltage! The voltage must comply with the information on the rating label! If using an extension cord it must be suitable for outdoor use with sockets protected against water splashing. Ensure the extension cord is of the proper size and type for your product:

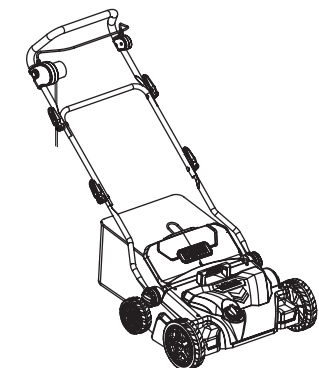
- 1.5 mm² for up to 60 m
- 2.5 mm² for up to 100 m

6. Your product is now ready to be used.



In more detail...

Product functions	22
Operation	25
Care and maintenance	27
Troubleshooting	31
Recycling and disposal	32
Guarantee	33
EC declaration of conformity	34



Intended use

This electric scarifier and raker MSRP1800 is designated with a rated power input of 1800 Watts.

Depending on the fitted attachment this product is either intended for scarifying and removing thatch from lawns or for raking in domestic and hobby gardens.

When used as a scarifier with scarifier drum installed, this product works by scratching through and between the grass with specially adapted blades that collect and remove any unwanted parts from the lawn whilst leaving the grass stalk intact. At the same time the product scarifies the ground resulting in a better airing.

When used as a raker with raker drum installed, the tines will scratch the surface of the lawn while simultaneously picking light debris for better oxygen absorption, airing and draining.

This product is not to be used in wet weather conditions and may not be used to mow grass or for shredding leaves.

For safety reasons it is essential to read the entire instruction manual before first operation and to observe all the instructions therein.

This product is intended for private domestic use only, not for any commercial trade use. It must not be used for any purposes other than those described.



NOTE: Thatch is a build-up of organic materials which can include dead grass or leaves, stems, rhizomes and overcrowded grass roots as well as lateral weed growth. It stifles the growth and health of the lawn. Removing thatch encourages the lawn to thicken up and makes it stronger and less susceptible to disease. Reducing the thatch level increases the levels of water, air and nutrients that can get through to the root zone of the grass plants.

Adjustment



WARNING! Always switch the product off and disconnect it from power supply before making any adjustments!



Handle adjustment

Adjust the handle to a suitable height according to your needs. The lower handle bar (6) can be adjusted to 3 positions. The arrow on the handle support (12) should be aligned with 1 of the 3 position lines. (Fig. 16).

1. Loosen the securing knob (12a) and move the lower handle bar (6) to the desired position. Ensure that the tooth system interlocks (Fig. 16).
2. Tighten the securing knob (12a) (Fig. 16).

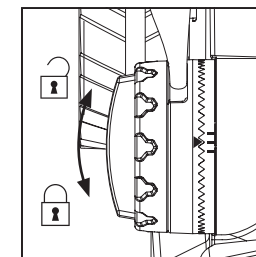


Fig. 16



WARNING! To ensure safe operation the height adjustment of the handle is limited by the handle adjustment locking system. Do not attempt to adjust any height where the teeth of the locking system are not interlocked.

Depth adjustment



WARNING! Always switch the product off and disconnect it from power supply before making any adjustments!

Adjust the depth according to the needs of your lawn and the condition of the blades/tines.

1. Turn the adjustment knob (9) clockwise to increase the depth (Fig. 17).
2. Turn the adjustment knob (9) anticlockwise to decrease the depth (Fig. 17)
3. Read the adjusted depth from the scale (Fig. 17).

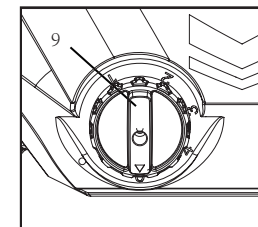


Fig. 17

Scale	Setting	Application
0	transport	for transportation and storage
1	low	scarifying a young or sensitive lawn, removing thin thatch layers, also use this setting when scarifying a second time in the Autumn
2	Re-adjustment	Settings 2, 3, 4 are not required until the blades/tines are worn. Depending on the degree of wear, gradually set the blades/tines lower, starting from setting 2.
3		
4		



NOTE: The working depth must be set correctly before the product is used for the first time. The working depth may be set at setting 1 initially. If the blades/tines are worn, the working depth must be re-adjusted subsequently. An optimum working depth is obtained when the blades/tines are inserted 2-3 mm into the ground. If the working depth is too deep, the motor may be overloaded and cause damage.

Lock-off button

1. Press the lock-off button (1) and pull the start/stop lever (2) against the handle (3), hold it in position during operation (Fig. 18).

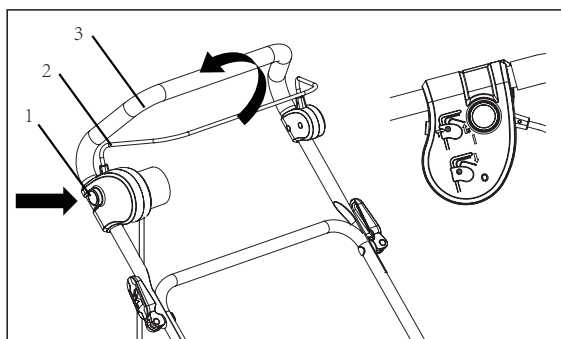


Fig. 18

2. Release the start/stop lever (2) to stop the motor.

Overload protection

The overload protection will be activated in the following circumstances:

1. A build up of scarified material around the cutting device.
2. If the material scarified is larger then the motor capacity.
3. Where there is too much resistance against the cutting device.

When the circuit breaker has been activated switch off the product and disconnect from the power supply.

Let the product cool down and eliminate the cause before using the product again.

General operation

1. Check the product, its power cord and plug as well as accessories for damage before each use. Do not use the product if it is damaged or shows wear.
2. Double check that attachments are properly fixed.
3. Push the product forward by its handle. Keep the handle dry to ensure safe support.
4. Ensure that the air vents are always unobstructed and clear. Clean them if necessary with a soft brush. Blocked air vents may lead to overheating and damage the product.
5. Switch the product off immediately if you are disturbed while working by other people entering the working area. Always let the product come to complete stop before averting.
6. Do not overwork yourself. Take regular breaks to ensure you can concentrate on the work and have full control over the product.
7. Mow the lawn before working and fertilise afterwards.
8. Make sure that the lawn is clear of stones, sticks, wire or other objects that could damage the product or its motor
9. Select the suitable working depth for the actual grass height.
10. Do not work with this product on a wet lawn because it tends to stick to the underbody of the product, preventing the proper discharge of collected material, and it could also cause you to slip and fall.
11. Slowly push the product forward. Move the product at appropriate speed. Do not move it too fast to prevent the discharge opening from getting blocked and motor from unnecessary overloading.
12. Work in slight overlapping rows. The most effective pattern for processing lawns is straight lines along one of the sides. This will keep the rows even and ensures that all the lawn is processed without missing any spots. (Fig. 19)
13. Circle around flower beds. When reaching a flower bed in the middle of the lawn, make a row or two around the circumference of the bed.
14. Pay special attention when changing direction.

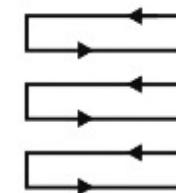


Fig. 19



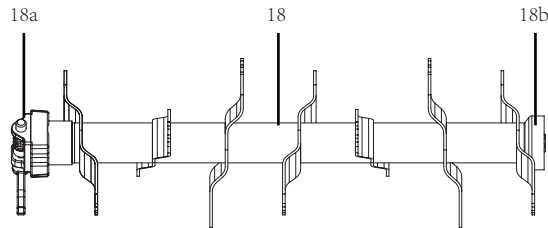
WARNING! If the product strikes a foreign object stop the motor! Switch the product off, disconnect it from the power supply and let it cool down. Inspect the product thoroughly for damage! Have any damage repaired before restarting!



Extensive vibration of the product during operation is an indication of damage! The product should be promptly inspected and repaired!



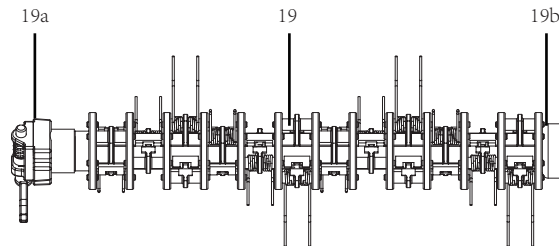
Scarifying



Consider the weather when scarifying. Scarify the lawn with an increased depth setting during spring time between April and May as the lawn is better able to recover during this season. During a wet summer scarify again in late summer with a decreased depth setting.

Do not scarify during periods of hot weather condition. During a dry rainless summer do not scarify a second time in autumn.

Raking



In order that a healthy lawn can develop in the spring, it is necessary for greater amounts of air to penetrate the area around the roots of the grass. We recommend aerate the lawn every 4 - 6 weeks depending on the state of your lawn.

After use

1. Switch the product off, disconnect it from the power supply and let it cool down.
2. Check, clean and store the product as described below.

The golden rules for care



WARNING! Always switch the product off, disconnect the product from the power supply and let the product cool down before performing inspection, maintenance and cleaning work!



1. Keep the product clean. Remove debris from it after each use and before storage.
2. Regular and proper cleaning will help ensure safe use and prolong the life of the product.
3. Inspect the product before each use for worn and damaged parts. Do not operate it if you find broken and worn parts.



WARNING! Only perform repairs and maintenance work according to these instructions! All further works must be performed by a qualified specialist!

General cleaning

1. Clean the product with a dry cloth. Use a brush for areas that are hard to reach.
2. Remove stubborn dirt with high pressure air (max. 3 bar).



NOTE: Do not use chemical, alkaline, abrasive or other aggressive detergents or disinfectants to clean this product as they might be harmful to its surfaces.

3. Check for worn or damaged parts. Replace worn parts as necessary or contact an authorised service centre for repair before using the product again.

Maintenance

Before and after each use, check the product and accessories (or attachments) for wear and damage. If required, exchange them for new ones as described in this instruction manual. Observe the technical requirements.

Power cord

If the power cord is damaged, it must be replaced by the manufacturer, its service agent or similarly qualified persons in order to avoid a safety hazard.

Spare parts/Replacement parts

The following parts of this product may be replaced by the consumer. Spare parts are available at an authorised dealer or through our customer service.

Description Model	Model no. or Specification
Scarifier drum	SLS37A.0.1
Racker drum	SLS37A.0.2

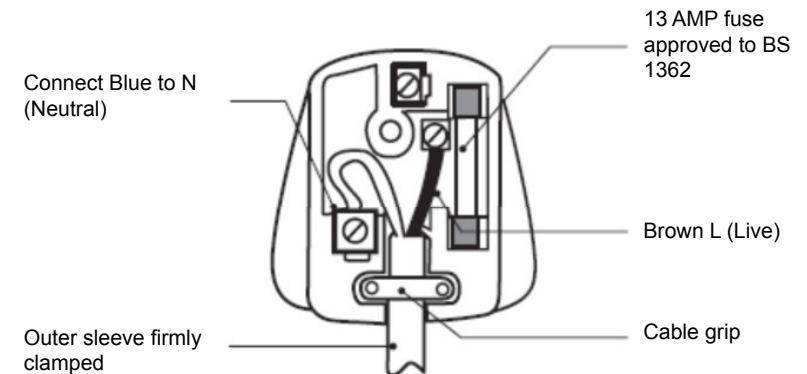
UK plug

If you need to replace the fitted plug, then follow the instructions below.

IMPORTANT: The wires in the mains lead are coloured in accordance with the following code:

Blue – Neutral Brown – Live

As the colours of the wire in the mains lead of this product may not correspond with the coloured marking identifying the terminals in your plug, proceed as follows. The wire, which is coloured blue, must be connected to the terminal, which is marked with N or coloured black. The wire, which is coloured brown, must be connected to the terminal, which is marked L or coloured red.



WARNING! Never connect live or neutral wires to the earth terminal of the plug, which is marked with E.

Only fit an approved 13 Amp BS 1363 or BS 1363/A plug and the correctly rated fuse. If in doubt, consult a qualified electrician.



NOTE: If a moulded plug is fitted and has to be removed take great care in disposing of the plug and severed cable, it must be destroyed to prevent engaging into a socket.

Repair

This product does not contain any parts that can be repaired by the consumer. Contact an authorised service centre or a similarly qualified person to have it checked and repaired.

Storage

1. Switch the product off and disconnect it from the power supply.
2. Clean the product as described above.
3. Adjust the working height to the highest position as described above.
4. Loosen the wing nuts (15a) of the lower and middle handle and fold the handle bars (Fig. 20).

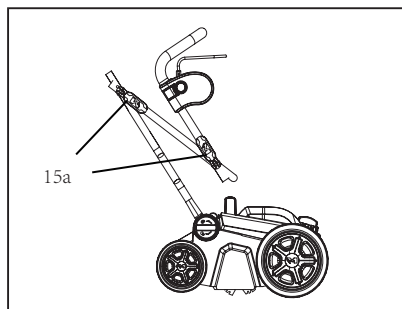


Fig. 20

5. Store the product and its accessories in a dry, frost-free, well-ventilated place.
6. Always store the product in a place that is inaccessible to children. The ideal storage temperature is between 10 and 30°C.
7. We recommend using the original package for storage or covering the product with a proper cloth or enclosure to protect it against dust.

Transportation

1. Switch the product off and disconnect it from the power supply.
2. Attach transportation guards, if applicable.
3. Always carry the product by its transportation handle (8).
4. Protect the product from any heavy impact or strong vibrations which may occur during transportation in vehicles.
5. Secure the product to prevent it from slipping or falling over.

Troubleshooting

Suspected malfunctions are often due to causes that the users can fix themselves. Therefore check the product using this section. In most cases the problem can be solved quickly.



WARNING! Only perform the steps described within these instructions! All further inspection, maintenance and repair work must be performed by an authorised service centre or a similarly qualified specialist if you cannot solve the problem yourself!

Problem	Possible cause	Solution
1. Product does not start	1.1 Not connected to power supply	1.1 Connect to power supply
	1.2 Power cord or plug is defective	1.2 Check by a specialist electrician.
	1.3 Other electrical defect to the product	1.3 Check by a specialist electrician.
	1.4 Lock-off button not pressed	1.4 Press lock-off button first, then the start/stop lever
2. Product does not reach full power	1.1 Extension cord not suitable for operation with this product	2.1 Use a proper extension cord
	1.2 Power source (e.g. generator) has too low voltage	2.2 Connect to another power source
	1.3 Air vents are blocked	2.3 Clean the air vents
3. Poor result	3.1 Cutting device is dull/damaged	3.1 Replace with a new one
	3.2 Scarified material exceeds capacity	3.2 Only scarify materials according to capacity of the product
	3.3 Scarifying depth is incorrect	3.3 Adjust depth

Recycling and disposal



The product comes in a package that protects it against damage during shipping. Keep the package until you are sure that all parts have been delivered and the product is functioning properly. Recycle the package afterwards.

WEEE symbol. Waste electrical products should not be disposed of with household waste. Please recycle where facilities exist. Check with your Local Authority or local store for recycling advice.

Guarantee

Thank you for investing in MacAllister. These products have been made to demanding high quality standards and are guaranteed for domestic use against manufacturing faults for a period of 24 months from the date of purchase. Please retain your receipt as proof of purchase.

If the product is found to be defective within 24 months, we will either replace all defective parts or, at our discretion, replace the unit free of charge. If the same unit is no longer available we will replace it with a unit of similar specification.

This guarantee does not cover defects caused by or resulting from:

- overload, misuse or neglect
- normal wear and tear, including accessory wear
- trade, professional or hire use
- repairs attempted by anyone other than an authorised agent
- damage caused by foreign objects, substances or accidents

In the unlikely event that this product does develop a fault please call the MacAllister helpline on 0333 014 3087.

Due to continuous product improvement, we reserve the right to change the product specification without prior notice.

This guarantee does not affect your statutory rights. B&Q plc. Chandlers Ford, Hants, SO53 3LE (Registered in England under no. 973387).

EC declaration of conformity

We
Kingfisher International Products Limited
3 Sheldon Square
London W2 6PX
United Kingdom

Declare that the product
1800W scarifier and raker
Serial number: from 000001 to 999999

Complies with the essential health and safety requirements of the following directives:

The Machinery Directive 2006/42/EC

- EN 60335-1:2012+A11
- EN50636-2-92:2014
- EN 62233:2008

The EMC Directive 2014/30/EU

- EN55014-1:2006+A1:2009+A2:2011
- EN55014-2:2015
- EN61000-3-2:2014
- EN61000-3-3:2013

The Outdoor Noise Directive 2000/14/EC amended by 2005/88/EC

- Measured Sound Power Level: 97.66 dB(A)
- Guaranteed Sound Power Level: 100 dB(A)
- The conformity assessment followed was according to Annex V of the directive

The RoHS directive 2011/65/EU
Authorized Signatory and technical file holder



Kingfisher International Products Limited
3 Sheldon Square
London W2 6PX
United Kingdom

Jean-Christophe Ferrer
Director of Group Quality

All technical information is held at the address detailed above

GB-IE

B&Q plc

Chandlers Ford, Hants,
SO53 3LE, United Kingdom

www.bymacallister.com